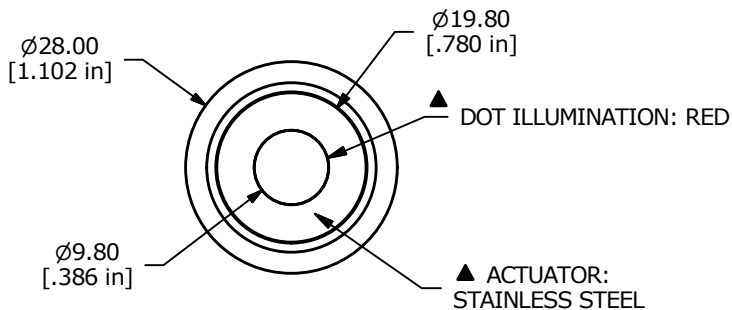
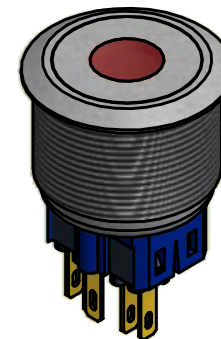


PANEL CUTOUT  
MAX. PANEL THICKNESS 10mm



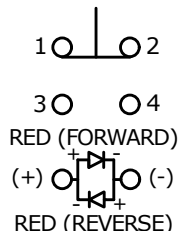
DOT ILLUMINATION: RED

▲ ACTUATOR:  
STAINLESS STEEL

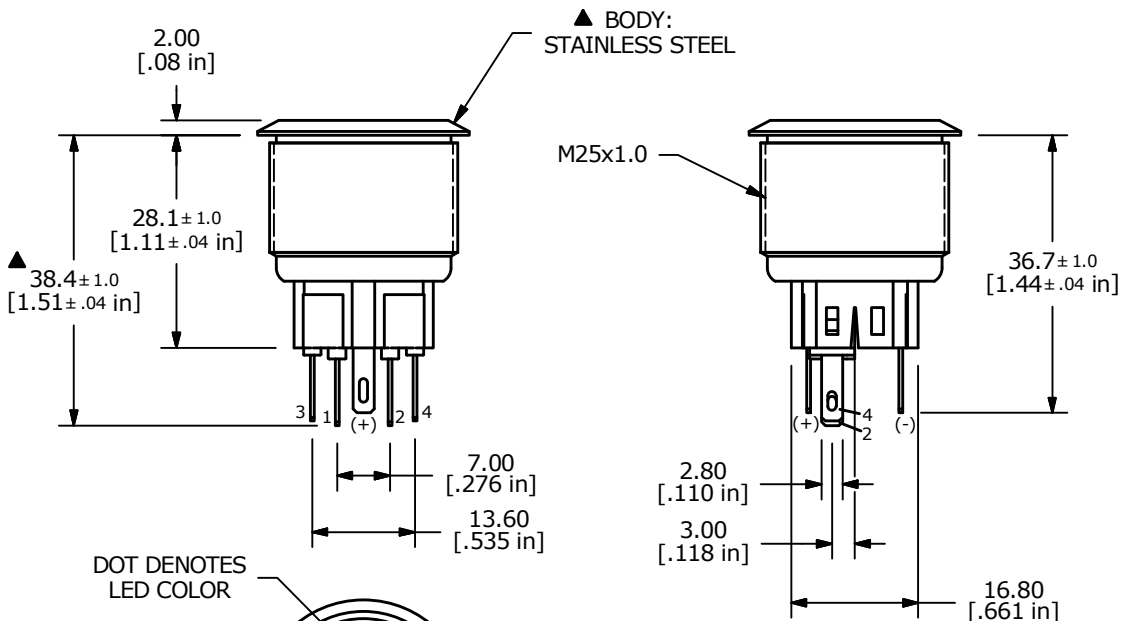


SWITCH FUNCTION	
POS. 1	POS. 2 (MOM)
1-2	(3-4)

( ) = MOMENTARY

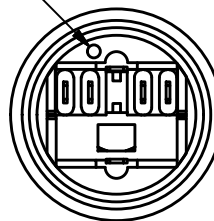


▲ SPDT ON-(OFF) / OFF-(ON)  
CONTACT CONFIGURATION



▲ BODY:  
STAINLESS STEEL

DOT DENOTES  
LED COLOR



NOTE:

- ALL DIMENSIONS IN MM [INCH]
- GENERAL TOLERANCE: X.X = ± 0.4  
X.XX = ± 0.25
- TERMINAL NOS. FOR REF. ONLY
- RATING: 2A @ 48VDC
- CONTACT RESISTANCE: 50mΩ MAX. @ 1A 12VDC
- INSULATION RESISTANCE: 1,000MΩ @ 500VDC
- DIELECTRIC STRENGTH: 2,000VAC MIN. FOR 1 MINUTE
- ELECTRICAL LIFE: 50,000 CYCLES
- OPERATING TEMPERATURE: -20°C TO 70°C
- INGRESS PROTECTION: IP65
- SUPPLIED HARDWARE: O-RING AND HEXNUT
- ▲ DENOTES CRITICAL PARAMETER
- 2002/95/EC (ROHS) COMPLIANT
- ILLUMINATION VOLTAGE: 12V



TITLE PV8F2Y0SS-214				
SCALE 1:1	DATE 9/10/2015	DR MW	DWG 52-PV8F2Y0SS214	REV A

A	21982	RELEASE FOR PRODUCTION	9/10/15	MW
REV	PCR NO	DESCRIPTION	DATE	BY

THE INFORMATION CONTAINED IN THIS DOCUMENT IS PROPRIETARY TO E-SWITCH AND IS NOT TO BE COPIED OR TRANSFERRED